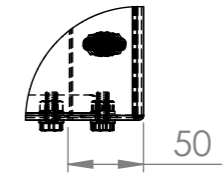
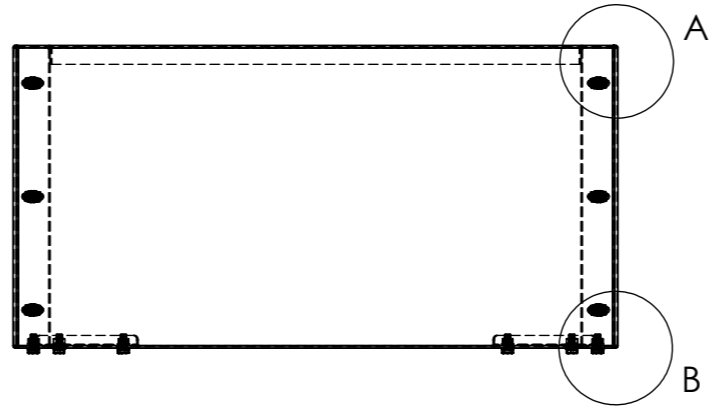
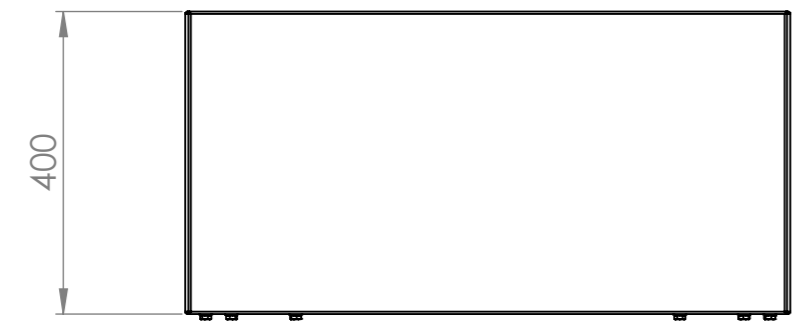


DETAIL A  
SCALE 1 : 5



DETAIL B  
SCALE 1 : 5

DRAWN	Luuk van den Heuvel	DATE	22-6-2023		TITLE:	Corten 1.5mm	
REVISION					Drawing:	CAWC-6.3	A3
		Liessentstraat 4, 5405 AG Uden (NL). † 0031 (0)413 - 27 41 68. e info@adezz.com, i www.adezz.com		Color:	Mass (kg):	<b>22.02</b>	SCALE:1:10
					SHEET 1 OF 4		